

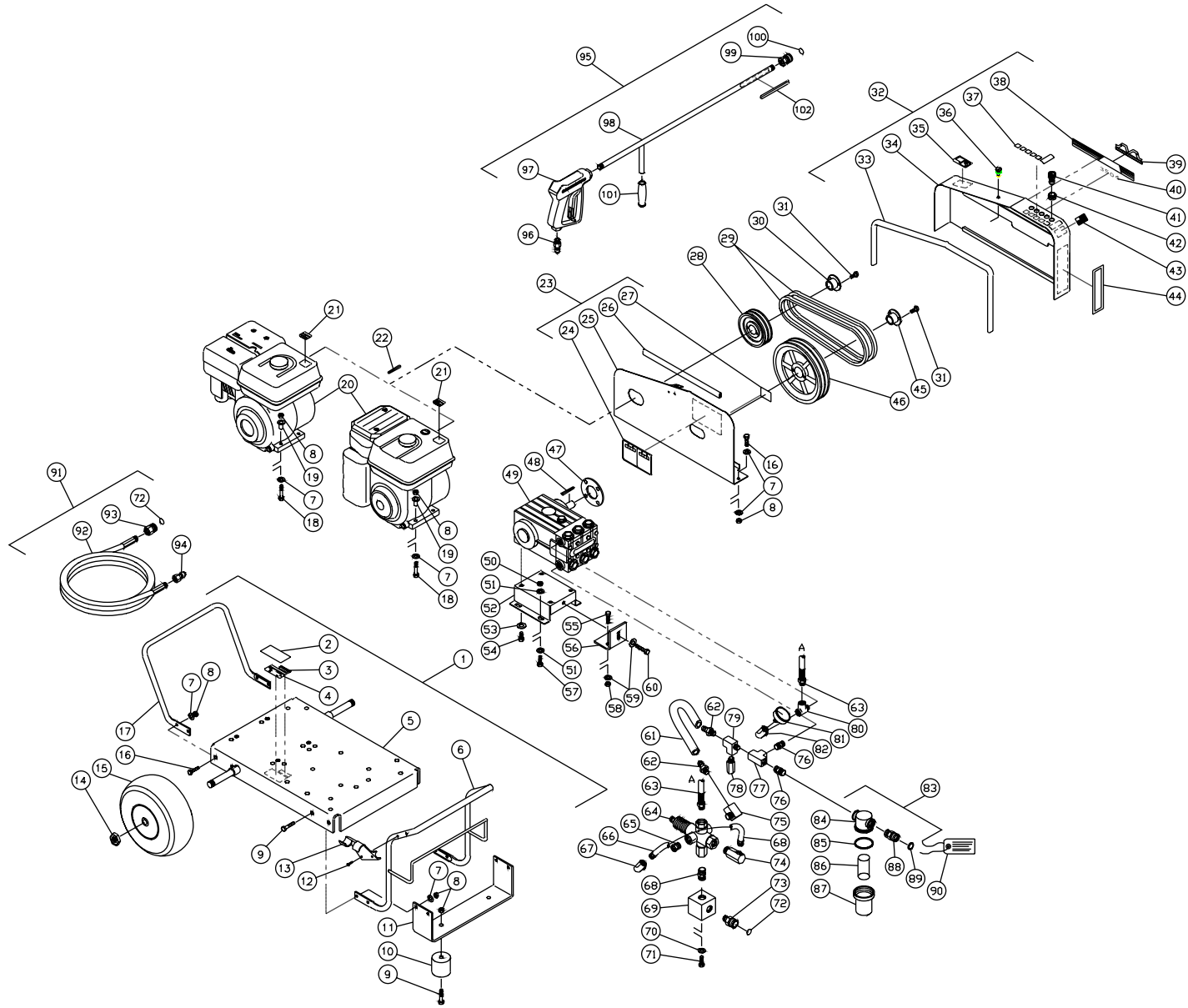
Mi-T-M[®] CORPORATION

8650 Enterprise Drive, Peosta IA 52068-0050
319-556-7484 / Fax 319-556-1235

CW-4003-3MGH/3MGV PARTS LIST

ENGINE OIL GRADE:	30W
HONDA OIL CAPACITY:	34.5 oz.
VANGUARD OIL CAPACITY:	51 oz.
PUMP OIL:	MI-T-M #AW-4085-0016
PUMP OIL CAPACITY:	40.6 oz.
NOZZLE SIZE:	3.0 mm

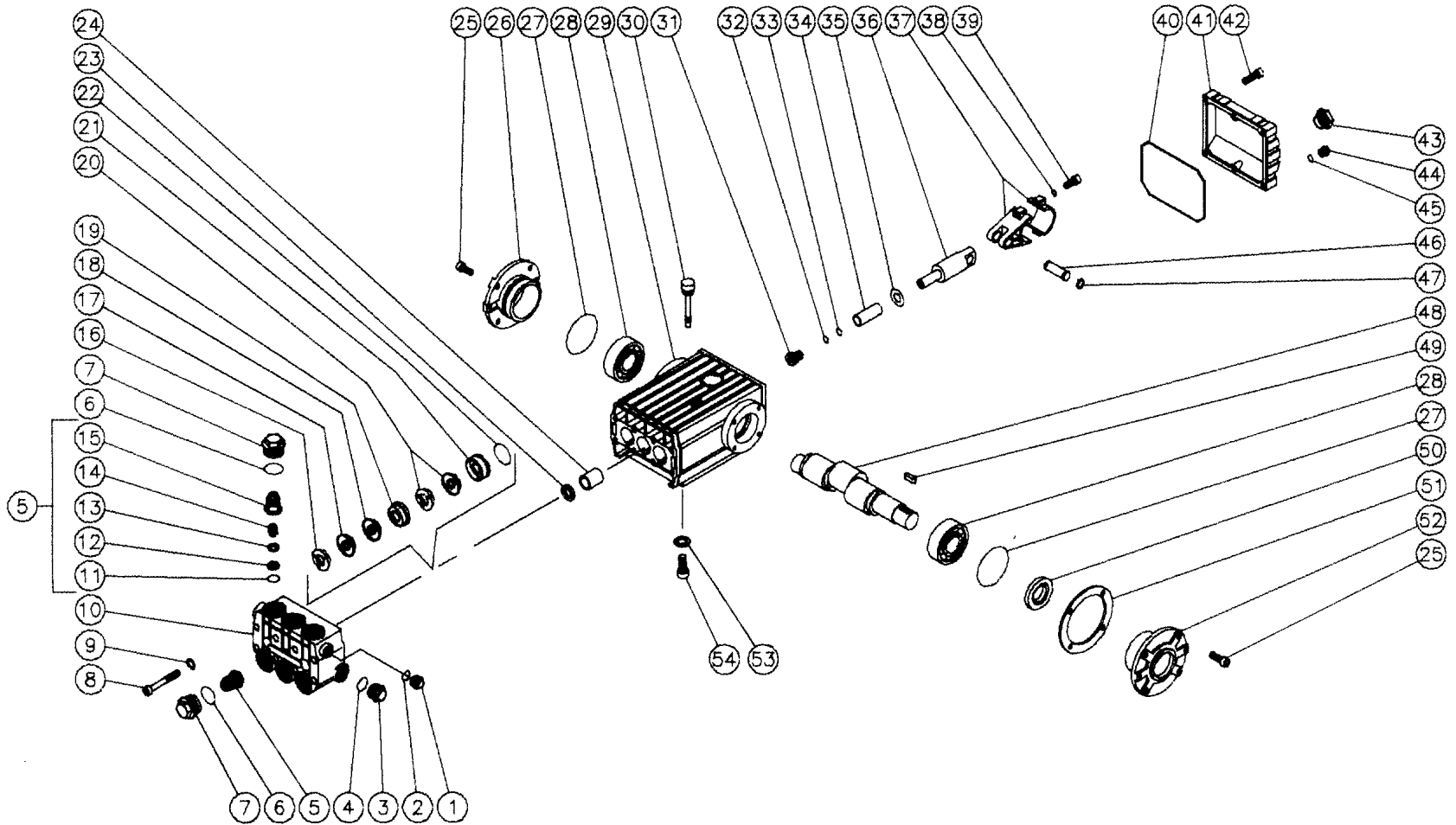
FRAME ASSEMBLY FOR CW-4003-3MGH/3MGV



OMCWU197/090496-JTR

FRAME ASSEMBLY FOR CW-4003-3MGH/3MGV											
REF. #	DESCRIPTION	PART #	QTY.	REF. #	DESCRIPTION	PART #	QTY.	REF. #	DESCRIPTION	PART #	QTY.
1	Base Plate Assembly (5-17)	851-0210	1	36	Fastener	33-0197	1	69	Manifold Block	51-0012	1
2	Decal-Clear Laminate	34-0210	1	37	Nozzles	34-0500	1	70	Washer	29-0008	2
3	Decal-Cold Water Serial Number	N/A	1	38	Decal-Mi-T-M Stripe	34-0501	1	71	Bolt	27-0116	2
4	Decal-I.D. Silver Sticker	34-0075	1	39	Decal-Mi-T-M Logo	62-0086	1	72	O-ring	25-0123	2
5	Base Plate	5-0078	1	40	Decal-White Die Cut 4003	34-0692	1	73	Quick Connect Socket	17-0029	1
6	Handle-Front	7-0101	1	41	Spray Nozzle 0003	18-0302	1	74	Easy Start Valve	22-0146	1
7	Washer	28-0003	20	--	Spray Nozzle 1503	18-0150	1	75	Elbow	23-0035	1
8	Locknut	30-0157	18	--	Spray Nozzle 2503	18-0303	1	76	Hex Nipple	23-0012	2
9	Bolt	27-0068	6	--	Spray Nozzle 4003	18-0304	1	77	Tee	23-0043	1
10	Isolator	14-0008	2	42	Grommet	33-0001	5	78	Tee	23-0124	1
11	Underbracket	13-0042	1	43	Decal-American Flag	34-0521	1	79	Heat Dump Valve	22-0005	1
12	Screw	27-3062	2	44	Decal-Operating Instructions	34-0499	1	80	Tee	23-0058	1
13	Wand Holder	62-0085	1	45	Bushing	9-0017	1	81	Pressure Gauge	22-0107	1
14	Jamnut	30-0117	2	46	Sheave	10-0040	1	82	Elbow	24-0004	1
15	Wheel	14-0006	2	47	Isolator	33-0202	1	83	Strainer (84-89)	19-0057	1
16	Bolt	27-0067	8	48	Key	43-0028	1	84	Strainer Cap	19-0058	1
17	Handle-Rear	7-0111	1	49	Pump	3-0075	1	85	Strainer Gasket	26-0160	1
18	Bolt	27-0070	4	50	Locknut	30-0161	4	86	Strainer Steel Screen	19-0059	1
19	Shim-Engine	33-0169	4	51	Washer	28-0030	8	87	Strainer Bowl	19-0060	1
20	Engine 13.0 HP Honda	1-0086	1	52	Pump Bracket	5-0101	1	88	Garden Hose Swivel	23-0095	1
--	Engine 13.0 HP Vanguard	1-0090		53	Washer	29-0055	4	89	Garden Hose Gasket	26-0001	1
21	Decal-Caution: Allow to Cool	34-0588	1	54	Bolt	27-8471	4	90	Tag-Water Supply Inlet	34-0097	1
22	Key	43-0078	1	55	Bolt	27-0118	2	91	High Pressure Hose Assy. (92-94)	851-0006	1
23	Beltguard Back Assy. (24-27)	851-0215	1	56	Brace Tightener	13-0003	1	92	High Pressure Hose	15-0004	1
24	Decal-Caution/Warning	34-0498	1	57	Bolt	27-0166	4	93	Quick Connect Socket	17-0004	1
25	Beltguard Back	6-0063	1	58	Locknut	30-0159	2	94	Quick Connect Plug	17-0006	1
26	Edging *(2 feet required)	33-0020	1	59	Washer	28-0023	3	95	Gun/Wand Assembly (96-99, 101)	851-0095	1
27	Decal-Beltguard Cover	34-0575	1	60	Bolt	27-0576	1	96	Quick Connect Plug	17-0005	1
28	Sheave	10-0030	1	61	By-pass Hose	15-0022	1	97	Gun	16-0001	1
29	Belt	11-0035	2	62	Hose Barb	23-0005	2	98	Wand	16-0120	1
30	Bushing	9-0005	1	63	Hose	15-0024	1	99	Quick Connect Socket	17-0001	1
31	Bolt	27-0015	1	64	Unloader	8-0270	1	100	O-ring	25-0122	1
32	Beltguard Cover Assembly (33-39, 42-44)	851-0216	1	65	Hex Reducer	23-0056	1	101	Handle Grip	7-0002	1
33	Edging *(4 feet required)	33-0020	1	66	Hose	15-0140	1	102	Decal-Warning: Risk of Injection	34-0572	1
34	Beltguard Cover	6-0064	1	67	Elbow	23-0237	1	103	*Must order in one foot lengths		
35	Decal-Warning: Muffler Hot	34-0130	1	68	Hex Nipple	24-0031	1				

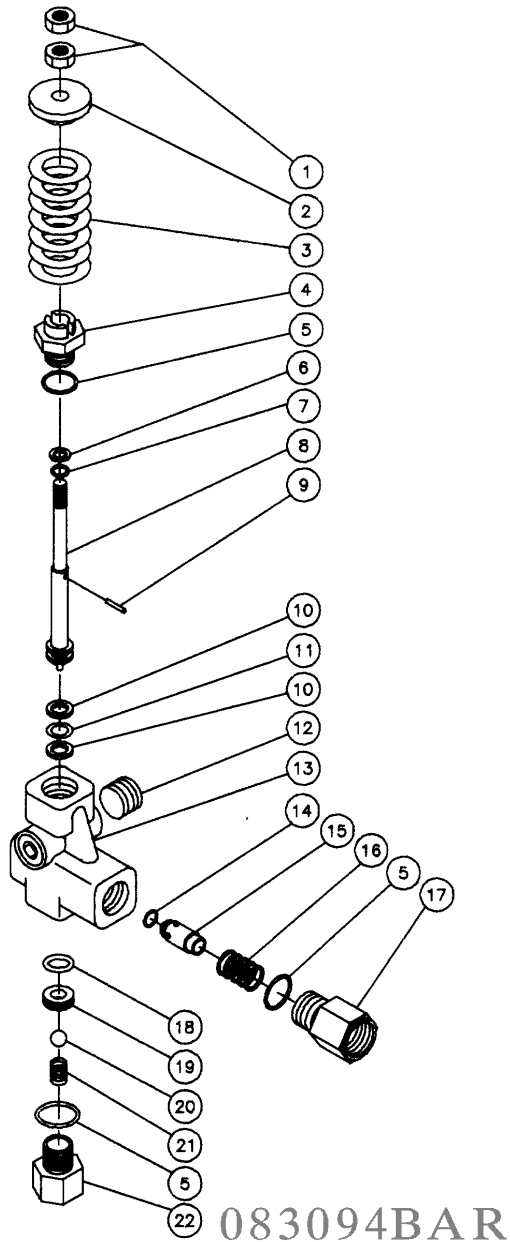
PUMP ASSEMBLY (3-0075) FOR CW-4003-3MGH/3MGV



OMPMP021/122195/JTR

PUMP ASSEMBLY (3-0075)							
REF. #	DESCRIPTION	PART #	QTY.	REF. #	DESCRIPTION	PART #	QTY.
1	Hex Plug	39-0018	1	30	Oil Dipstick	46-0144	1
2	Washer	28-0600	1	31	Piston Bolt	46-0285	3
3	Hex Plug	39-0019	1	32	O-ring	25-0138	4
4	Washer	28-0601	1	33	Back-up Ring	25-0137	3
5	Valve Assy. (11-15) (See 70-0009)	N/A	6	34	Plunger	46-0337	3
6	O-ring	25-0012	6	35	Flinger Washer	46-0283	3
7	Valve Plug	46-0282	6	36	Piston Rod	46-0294	3
8	Bolt	27-8185	8	37	Connecting Rod	46-0051	3
9	Lockwasher	28-0210	8	38	Lockerwasher	29-0154	6
10	Pump Manifold	46-0291	1	39	Bolt	27-8435	6
11	O-ring (See 70-0009)	N/A Sep.	6	40	Gasket Cover - Old Style	25-0079	1
12	Valve Seat (See 70-0009)	N/A Sep.	6		O-ring Cover - New Style	25-0339	1
13	Valve Plate (See 70-0009)	N/A Sep.	6	41	Crankcase Cover - Old Style	46-0065	1
14	Valve Spring (See 70-0009)	N/A Sep.	6		Crankcase Cover - New Style	46-0295	1
15	Valve Cage (See 70-0009)	N/A Sep.	6	42	Bolt	27-8404	5
16	Head Ring (See 852-0064)	N/A Sep.	6	43	Oil Level Indicator	46-0114	1
17	Head Ring (See 852-0064)	N/A Sep.	6	44	Hex Plug	39-0017	1
18	Stop Ring Packing (See 852-0064)	N/A Sep.	6	45	O-ring	25-0014	1
19	Intermediate Ring	46-0289	3	46	Connecting Rod Pin	43-0032	3
20	Seal (See 852-0064)	N/A Sep.	3	47	Retaining ring	46-0103	6
21	Seal Retainer	46-0286	3	48	Crankshaft	46-0050	1
22	O-ring	25-0015	3	49	Key	43-0048	1
23	Oil Seal	26-0047	3	50	Oil Seal	26-0049	1
24	Bushing	9-0029	3	51	Shim	46-0113	2
25	Bolt	27-8431	8	52	Crankcase Cover-Open	46-0296	1
26	Crankcase Cover-Closed	46-0336	1	53	Lockwasher	29-0055	4
27	O-ring	25-0013	2	54	Bolt	27-8471	4
28	Roller Bearing	48-0012	2		Valve Kit (6 each of 11-15)	70-0009	
29	Crankcase	46-0292	1		Packing Kit (3 each of 16, 17, 18, 20, 22)	852-0064	

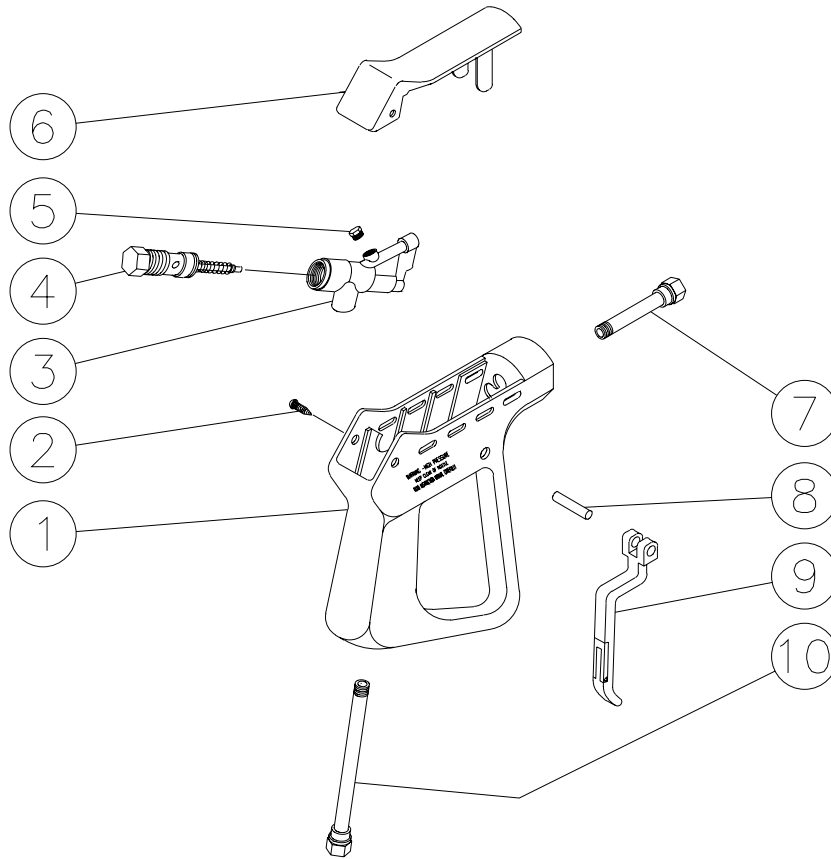
UNLOADER ASSEMBLY (8-0270) FOR CW-4003-3MGH/3MGV



UNLOADER ASSEMBLY (8-0270)			
REF.#	DESCRIPTION	PART #	QTY.
1	Hex Nut	30-7203	2
2	Spring Guide	8-0278	1
3	Spring	49-0111	1
4	Piston Housing	8-0279	1
5	O-ring	25-0189	3
6	Back-up Ring	8-0277	1
7	O-ring	25-0192	1
8	Piston	8-0280	1
9	Pin	43-0059	1
10	Back-up Ring	8-0276	2
11	O-ring	25-0191	1
12	Plug	39-0055	2
13	Valve Housing	8-0275	1
14	O-ring	25-0193	1
15	Check Valve	22-0127	1
16	Spring	49-0058	1
17	Outlet Connection	8-0271	1
18	O-ring	25-0190	1
19	Seat	8-0272	1
20	Ball	8-0273	1
21	Spring	49-0059	1
22	Inlet Connection	8-0274	1
	Unloader Kit (5-7, 10, 11, 14, 18-20)	70-0107	1

OMGEN043/083094/BAR

GUN ASSEMBLY (16-0001) FOR CW-4003-3MGH/3MGV



GUN ASSEMBLY (16-0001)			
Ref. #	Description	Part #	Qty.
1	Plastic Housing	16-0008	1
2	Screw	27-3230	2
3	Brass Housing	16-0012	1
4	Gun Repair Kit	70-0055	1
5	Brass Plug	39-0024	1
6	Plastic Cover	16-0009	1
7	Pipe Assembly	16-0013	1
8	Trigger Pin	16-0063	1
9	Trigger Safety Lock-off	16-0010	1
10	Pipe Assembly-Inlet	16-0016	1
	Gun Assembly Complete	16-0001	1

